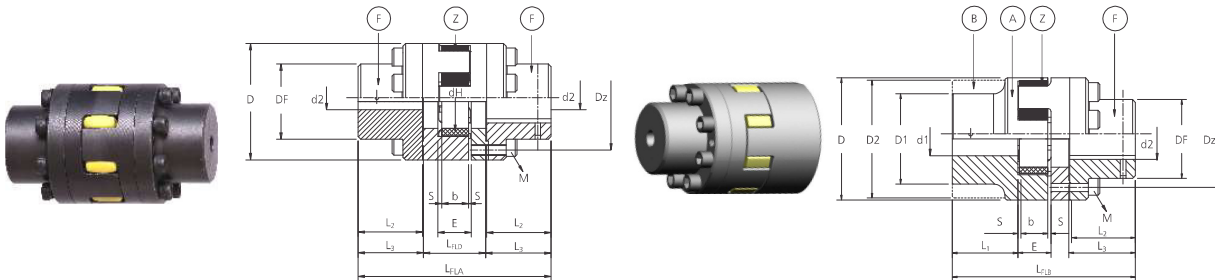




UTL UTEX (BOLTED HUB) TYPE COUPLINGS

UTL FLEXIBLE COUPLINGS



FEATURES

- For general machinery
- Radial assembly of driving or driven machine after disassembly of driving flanges
- Power flow can be disconnected while coupling is installed

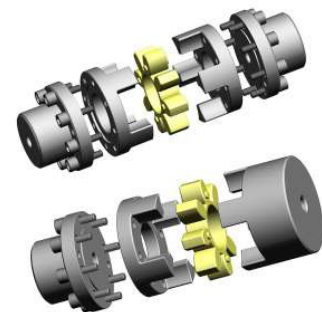
DIMENSIONS & TECHNICAL DATA

Size	Finish bore mm			Dimensions are in mm																	No. of Screws 2	Angle 1°	Wt in. Kg	Moment of inertial (kg.m ²)
	d1	Pre-bored d2	d2 Max	LFLA	LFLB	LFLD	L1	L2	L3	E	b	S	ØD	ØD1	ØD2	Df	Dz	DH	M	T (Nm)				
24	10	7	24	94	86	34	30	30	30.5	18	14	2	55	40	55	36	45	27	M5x16	10	8	8x45°	On request UTL will provide data.	On request UTL will provide data.
28	12	9	28	110	100	40	35	35	35.5	20	15	2.5	65	48	65	42	54	30	M6x20	17	8	8 x 45°		
38	14	13	38	134	124	44	45	45	45.5	24	18	3	80	66	79	52	66	38	M8x22	41	8	8 x 45°		
42	19	13	42	150	138	50	50	50	51	26	20	3	95	75	94	62	80	46	M8x25	41	12	16 x 22.5°		
48	19	16	48	164	152	52	56	56	57	28	21	3.5	105	85	102	70	90	51	M8x25	41	12	16 x 22.5°		
55	19	16	55	192	176	62	65	65	66	30	22	4	120	98	118	80	102	60	M10x30	83	8	8 x 45°		
65	22	18	65	217	201	67	75	75	76	35	26	4.5	135	115	132	94	116	68	M10x30	83	12	16 x 22.5°		
75	30	25	75	248	229	78	85	85	86.5	40	30	5	160	135	158	108	136	80	M12x40	120	15	20 x 18°		
90	40	29	100	285	265	85	100	100	101.5	45	34	5.5	200	160	196	142	172	100	M16x40	295	15	20 x 18°		
100	-	29	110	320	295	100	110	110	111.5	50	38	6	225	180	-	158	195	113	M16x50	295	15	20 x 18°		

- 1 - Thread in driving flange E between the cams
- 2 - Coupling is supplied unassembled

MATERIAL SPECIFICATIONS

Hub	Size - 24 - 100	Cast Iron	CI	EN-GJL - 250 (GG 25)
Spider 92° Shore A (Yellow Colour)	Size - 24 - 100	Polyurethane	PU	
Spider 98° Shore A (Red Colour)	Size - 24 - 100	Polyurethane	PU	



• For temperature range of elastomers please see on page no. 37 - coupling selection



Riddhi Engineering Company

www.couplings-mounts.com
sales@riddhiengineeringco.com
+91 74900 32784