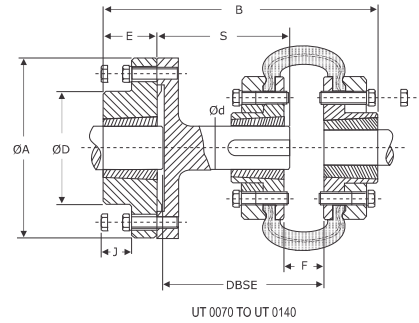
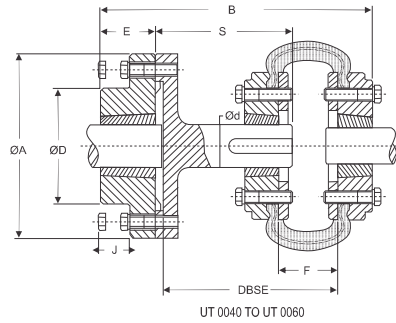




UTL UST COUPLINGS (Tyre Spacer Couplings)

UTL FLEXIBLE COUPLINGS



FEATURES

- Spacer makes maintenance more efficient and easy as a space between two shafts up to DBSE is available
- No requirement of re-aligning after dismantling of coupling

DIMENSIONS & TECHNICAL DATA

Size	DBSE	Bush Size	ØA	ØD	B		E	J	S		Ød	Tyre size UT / UTT	Bush Size	G		Weight / Coupling kg	Moment of Inertia (WR ²) Coupling kg.m ²
					UT	UTT			UT	UTT				UT	UTT		
12	80	1210	118	83	130	-	25	22	57	-	25	UT 0040	1008	21	-	On request UTL will provide data.	On request UTL will provide data.
	100	1210	118	83	150	-	25	22	77	-	25	UT 0040	1008	21	-		
16	100	1615	127	80	163	-	38	24	94	-	32	UT 0040	1008	21	-		
	140	1615	127	80	203	-	38	24	134	-	32	UT 0040	1008	21	-		
	100	1615	127	80	166	-	38	24	94	-	32	UT 0050	1210	25	-		
	140	1615	127	80	206	-	38	24	134	-	32	UT 0050	1210	25	-		
	100	1615	127	80	166	-	38	24	-	-	32	UT 0060	1610	30	-		
	140	1615	127	80	206	-	38	24	-	-	32	UT 0060	1610	30	-		
25	100	2517	178	127	-	180	45	27	-	94	48	UTT 0070F	2012	-	16		
	140	2517	178	127	-	220	45	27	-	134	48	UTT 0070F	2012	-	16		
	180	2517	178	127	-	260	45	27	-	174	48	UTT 0070F	2012	-	16		
	100	2517	178	127	-	193	45	27	-	94	48	UTT 0080F	2517	-	21		
	140	2517	178	127	-	233	45	27	-	134	48	UTT 0080F	2517	-	21		
	180	2517	178	127	-	273	45	27	-	174	48	UTT 0080F	2517	-	21		
	140	2517	178	127	-	233	45	27	-	134	48	UTT 0090	2517	-	24		
	180	2517	178	127	-	273	45	27	-	174	48	UTT 0090	2517	-	24		
30	140	3030	216	146	-	270	76	33	-	134	60	UTT 0100F	3020	-	20		
	180	3030	216	146	-	310	76	33	-	174	60	UTT 0100F	3020	-	20		
	140	3030	216	146	-	270	76	33	-	134	60	UTT 0110	3020	-	21		
	180	3030	216	146	-	310	76	33	-	174	60	UTT 0110	3020	-	21		
35	140	3535	248	178	-	297	89	33	-	134	80	UTT 0120F	3525	-	25		
	180	3535	248	178	-	337	89	33	-	174	80	UTT 0120F	3525	-	25		
	140	3535	248	178	-	297	89	33	-	134	80	UTT 0140	3525	-	22		
	180	3535	248	178	-	337	89	33	-	174	80	UTT 0140	3525	-	22		

MATERIAL SPECIFICATIONS

Flange	Size - 0040-0140	Cast Iron	CI	DIN 1693 GG 20
Tyre	All Size	Natural Rubber	NR	ASTM D2000 810
Clamping Ring	Size - 0040-0140	Mild Steel	St	BS 970
Spacer	Size - 0040-0140	Cast Iron	Cs	BS 970
Hex Bolt	Size - 0040-0140	High Tensile	St	ISO 4014 : Gr 8.8
Taper Bush	Size - 1008-3525	Cast Iron	CI	DIN 1693 GG 20



* For temperature range of elastomers please see on page no. 37 - coupling selection



Riddhi Engineering Company

www.couplings-mounts.com

sales@riddhiengineeringco.com

+91 74900 32784