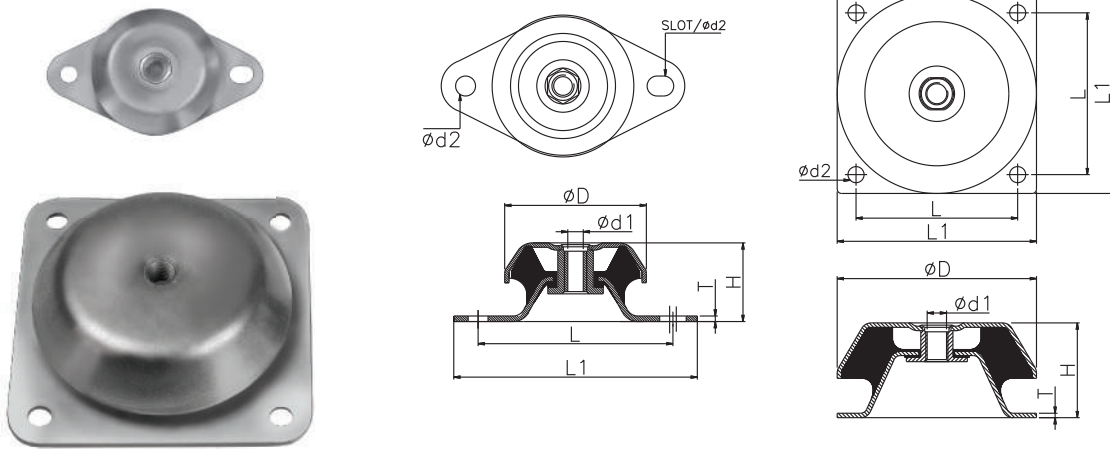


MACHINE FEET - PAM

POLYBOND

Moulding Innovation into Global Bonds



PART NO	DIMENSIONS (mm)								MAX. LOAD (Kg)	DEFLECTION (mm)
	L1	L	H	Ød1	Ød2	Ød2	T	ØD		
PAM - 0A	110	88	35.5	M10x1.5	Ø 9	Slot 12x9	2.5	64	20	3.0
PAM - 0B	110	88	35.5	M10x1.5	Ø 9	Slot 12x9	2.5	64	40	3.0
PAM - 1A	120	100	35.5	M12x1.75	2 X Slot 11x15	2 X Slot 11x15	2.5	62.8	45	3.0
PAM - 1B	120	100	35.5	M12x1.75	2 X Slot 11x15	2 X Slot 11x15	2.5	62.8	94	3.0
PAM - 2A	135	110	35.5	M12x1.75	Ø 11	Slot 15x11	2	84	204	3.0
PAM - 2B	135	110	35.5	M12x1.75	Ø 11	Slot 15x11	2	84	408	3.0
PAM - 3A	175	144	42	M16x2	Ø 14	Slot 20x13	3	110	200	6.0
PAM - 3B	175	144	42	M16x2	Ø 14	Slot 20x13	3	110	400	6.0
PAM - 4A	216	182	54	M16x2	2 X Slot 18x14	2 X Slot 18x14	4	155	135	3.0
PAM - 4B	216	182	54	M16x2	2 X Slot 18x14	2 X Slot 18x14	4	155	240	3.0
PAM - 5A	180	146	85.5	M20x2.5	4 X Ø 14.5	4 X Ø 14.5	4	180	600	10.0
PAM - 5B	180	146	85.5	M20x2.5	4 X Ø 14.5	4 X Ø 14.5	4	180	1200	10.0
PAM - 6A	220	180	105.5	M24x3	4 X Ø 17.5	4 X Ø 17.5	4	224	1000	10.0
PAM - 6B	220	180	105.5	M24x3	4 X Ø 17.5	4 X Ø 17.5	4	224	2000	10.0

Polybond MACHINE FEET has integral failsafe design. Rubber profile is used effectively in compression and shear simultaneously. PAM series has a soft vertical stiffness. Metal part plated for high corrosion resistance. Typical application are Compressors, AC units, Diesel Engine, Industrial & Marine Genset, Industrial Fans.

