



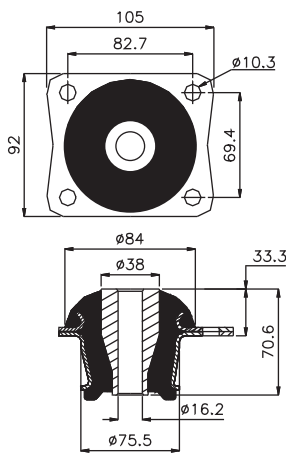
CORE MOUNTS



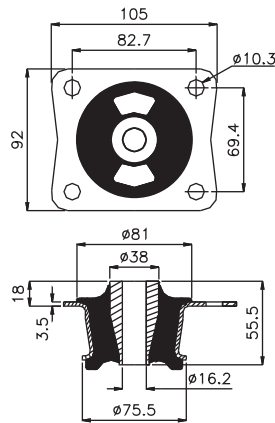
Moulding Innovation into Global Bonds



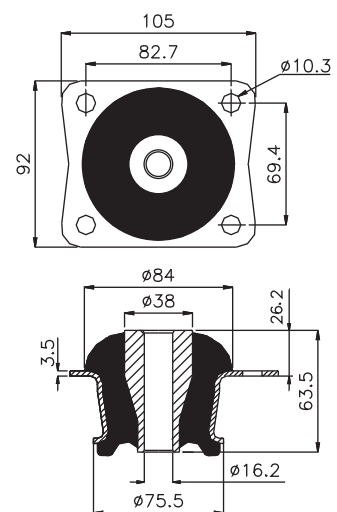
P-193



P-772



P-665



These core mounts when used with the right washers, provide a "fail-safe" feature, essential for many severe applications. Due to the high deflections possible these mounts provide good isolation and are extremely popular in mobile applications.

PART NO.		LOAD (Kg)	DEFLECTION (mm)
P - 193	A	250	6.0
P - 193	B	500	6.0
P - 193	C	600	4.8
P - 665	A	200	6.5
P - 665	B	350	5.4
P - 665	C	500	5.3
P - 772	A	120	6.8
P - 772	B	200	5.5
P - 772	C	250	4.7

