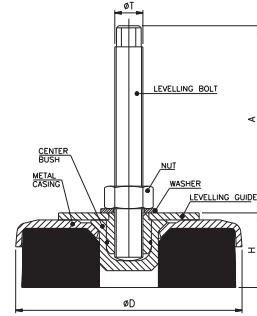




## MACHINE MOUNT - PSN

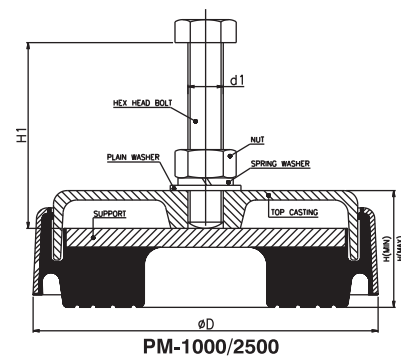
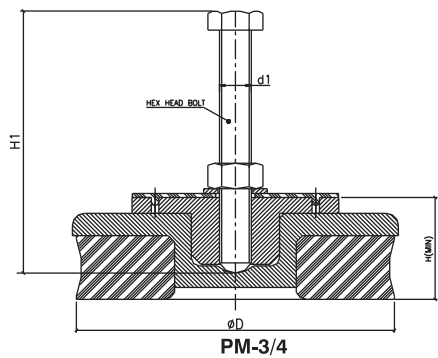


Moulding Innovation into Global Bonds



PART NO	PSN - 1	PSN - 2	PSN - 3
ØD	80 mm	120 mm	160 mm
H	38-50 mm	46-59 mm	53-68 mm
A	87 mm	79 mm	122 mm
ØT	M12x1.25	M16x1.5	M20x1.5
Optional Load Range	-	M12x1.25	M16x1.5
	50-500 Kg	200-1100 Kg	800-2100 Kg

## MACHINE MOUNT - PM



PART NO	ØD	H		H1	Ød1	MAX. DEFL	LOAD (Kg)	NORMAL LOAD (Kg)
		MIN.	MAX					
PM - 3	160	57	70	250	M20x1.5	3	1000	1000 ± 300
PM - 4	200	64	80	250	M20x1.5	3	2200	2200 ± 300
PM - 1000	133	54	74	160	M16x1.5	2	1000	1000 ± 300
PM - 2500	195	66	86	180	M20x1.5	2	2500	2500 ± 300

