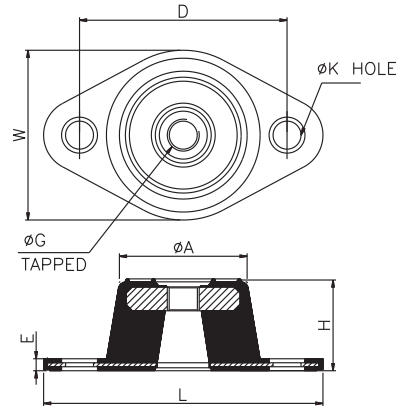




P MOUNTS



Moulding Innovation into Global Bonds



For effective isolation of noise and vibration from rotating equipment with speeds of 1000 rpm and above. Typical used to isolate fans, pumps, generators, air-conditioning units and general machinery.

TYPE	DIMENSIONS (mm)							
	H	L	W	D	ØA	ØG	ØK	E
P - 1	28	80	45	60	32	M8	8.5	5
P - 2	32	98	60	76	45	M10	8.5	6
P - 3	44	140	85	104	64	M12	14	6
P - 4	45	165	110	127	100	M12	14	6
PD - 1	35	80	45	60	32	M8	8.5	5
PD - 2	44	98	60	76	45	M10	8.5	6
PD - 3	72	140	85	104	64	M12	14	6
PD - 4	75	165	110	127	100	M12	14	6

TYPE	COLOUR CODE	LOAD (kg)	DEFL. (mm)
P - 1B	WHITE	25	5
P - 1C	GREEN	40	5
P - 1D	YELLOW	60	5
P - 1E	RED	80	5
PD - 1B	WHITE	25	8
PD - 1C	GREEN	40	8
PD - 1D	YELLOW	60	8
PD - 1E	RED	80	8
P - 2B	WHITE	100	6
P - 2C	GREEN	175	6
P - 2D	YELLOW	250	6
PD - 2B	WHITE	100	10
PD - 2C	GREEN	175	10
PD - 2D	YELLOW	250	10
P - 3B	WHITE	145	6
P - 3C	GREEN	240	6
P - 3D	YELLOW	340	6
P - 3E	RED	500	6
PD - 3B	WHITE	145	12
PD - 3C	GREEN	240	12
PD - 3D	YELLOW	340	12
PD - 3E	RED	500	12
P - 4B	WHITE	680	6
P - 4C	GREEN	1020	6
P - 4D	YELLOW	1360	6
P - 4E	RED	1800	6
PD - 4B	WHITE	680	12
PD - 4C	GREEN	1020	12
PD - 4D	YELLOW	1360	12
PD - 4E	RED	1800	12

