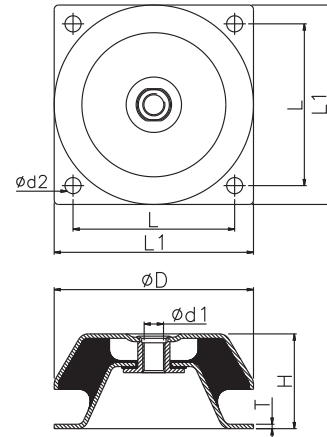
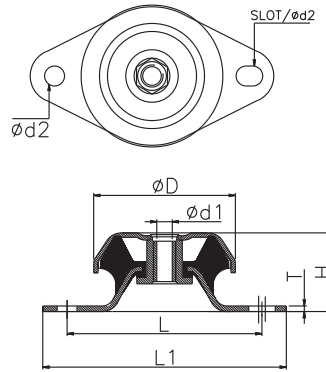
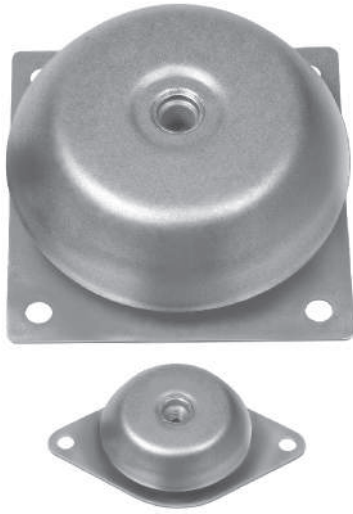




MACHINE FEET - PRA



Moulding Innovation into Global Bonds



PART NO	DIMENSIONS (mm)								MAX. LOAD (Kg)	DEFLECTION (mm)
	L1	L	H	Ød1	Ød2	Ød2	T	ØD		
PRA - 0A	128	110	30	M10x1.5	2 X Ø 9	2 X Ø 9	2	77	140	4.0
PRA - 0B	128	110	30	M10x1.5	2 X Ø 9	2 X Ø 9	2	77	290	4.0
PRA - 1A	144	124	35	M10x1.5	2 X Ø 10	2 X Ø 10	2.5	94.5	230	4.0
PRA - 1B	144	124	35	M10x1.5	2 X Ø 10	2 X Ø 10	2.5	94.5	480	4.0
PRA - 2A	170	144	39	M12x1.75	2 X Ø 13.5	2 X Ø 13.5	3	106	210	4.0
PRA - 2B	170	144	39	M12x1.75	2 X Ø 13.5	2 X Ø 13.5	3	106	490	4.0
PRA - 3A	186	158	42	M16x2	Slot 19.5x13.5	Ø 13.5	3	121	300	4.0
PRA - 3B	186	158	42	M16x2	Slot 19.5x13.5	Ø 13.5	3	121	600	4.0
PRA - 4A	212	182	48	M16x2	2 X Ø 13.5	2 X Ø 13.5	3	144	265	4.0
PRA - 4B	213	182	48	M16x2	2 X Ø 13.5	2 X Ø 13.5	3	144	545	4.0
PRA - 5A	170	140	58	M20x2.5	4 X Ø 14.5	4 X Ø 14.5	4	162	460	4.0
PRA - 5B	170	140	58	M20x2.5	4 X Ø 14.5	4 X Ø 14.5	4	162	690	4.0
PAB - 1A	93	76	34	M12x1.75	2 X Ø 10.45	2 X Ø 10.45	2	63	70	4.0
PAB - 1B	93	76	34	M12x1.75	2 X Ø 10.45	2 X Ø 10.45	2	63	105	4.0
PAB - 1C	93	76	34	M12x1.75	2 X Ø 10.45	2 X Ø 10.45	2	63	130	4.0

Polybond MACHINE FEET has integral failsafe design. Rubber profile is used effectively in compression and shear simultaneously. PRA series has comparatively high vertical stiffness. Metal part plated for high corrosion resistance Typical application are Compressors, AC units, Diesel Engine, Industrial & Marine Genset, Industrial Fans.

