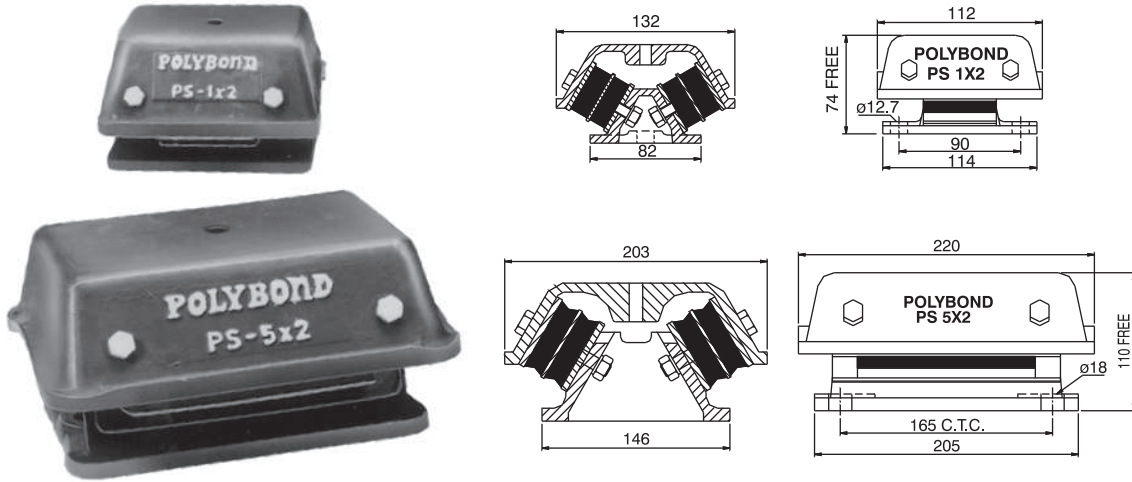




# COMBI MOUNT - PS



Moulding Innovation into Global Bonds



PART NO.	COLOUR CODE	LOAD (Kg)	DEFLECTION (mm)	TOP FIXING HOLE	
				PLAIN	TAPED
PS - 1 x 2A	BLUE	77	5.6	10	M12
PS - 1 x 2B	WHITE	118	5.8	10	M12
PS - 1 x 2C	GREEN	153	6.1	10	M12
PS - 1 x 2D	YELLOW	235	5.8	10	M12
PS - 1 x 2E	RED	317	5.3	10	M12
PS - 5 x 2A	BLUE	272	6.3	13	M16
PS - 5 x 2B	WHITE	544	5.6	13	M16
PS - 5 x 2C	GREEN	850	5.6	13	M16
PS - 5 x 2D	YELLOW	1040	5.6	13	M16
PS - 5 x 2E	RED	1580	5.6	13	M16

Polybond COMBIMOUNTS PS consist of two PS type sandwich mounts housed together in specially designed iron castings for protection against oil and mechanical damage. These are special mountings with natural frequencies down to 5.5 Hz and very good lateral stability. For low disturbing frequencies, high deflection can be achieved by screwing two COMBIMOUNTS PS together along the flange. When they cannot be bolted, these mounts can be located by rubber friction pads.

