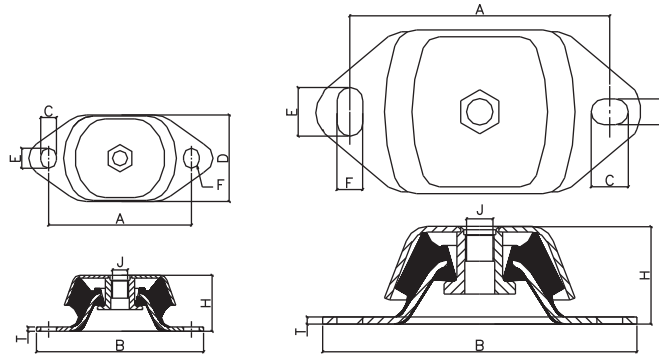




COMBI MOUNTS - PC



Moulding Innovation into Global Bonds



PC - 100

PC - 140 / PC - 182

PART NO	DIMENSIONS (mm)										
	A	B	C	D	E	F	G	H	I	J	T
PC - 100	100	120	11	60	14	-	5.5	40	-	M12	3
PC - 140	140	183	20	76	30	13	6.5	50	13	M16	4
PC - 182	182	230	26	112	34	18	9.0	70	18	M20	5

PART NO.		LOAD (Kg)	DEFLECTION (mm)
PC - 100	A	50	4
PC - 100	B	70	4
PC - 100	C	100	4
PC - 140	A	135	5
PC - 140	B	200	5
PC - 140	C	300	5
PC - 182	A	355	5
PC - 182	B	530	5
PC - 182	C	800	5
PC - 182	D	1000	5

POLYBOND COMBIMOUNTS PC are suitable for a wide variety of equipment. The COMBIMOUNT PC, is low in profile, compact in size and Ideal for mobile application due to added "Fail safe" feature. These mounts can be supplied with a height adjustment feature if required.

