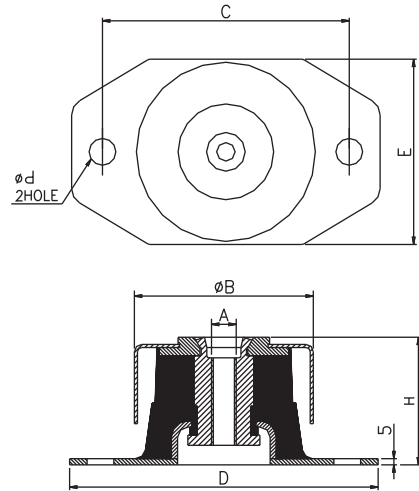
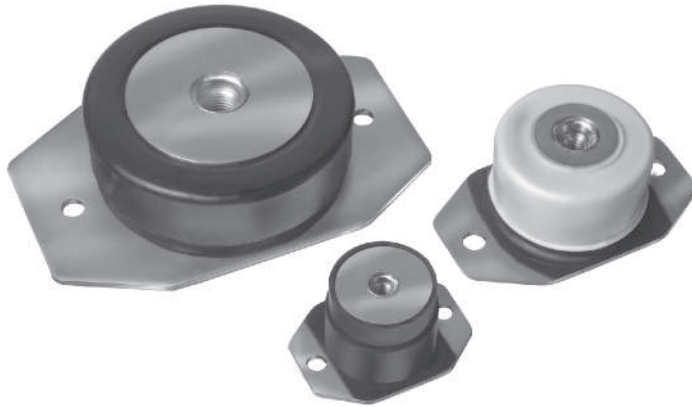




GEN-SAFE MOUNT - PGS



Moulding Innovation into Global Bonds



PART NO	COLOUR CODE	TYPE	LOAD (Kg)	DEFL. (mm)	DIMENSIONS (mm)						
					A	B	C	D	E	H	Ød
PGS - 0	BLUE	A	45	5.0	M10	54.5	76	94	70	50	10.2
PGS - 0	WHITE	B	60	5.0	M10	54.5	76	94	70	50	10.2
PGS - 0	GREEN	C	75	5.0	M10	54.5	76	94	70	50	10.2
PGS - 0	YELLOW	D	100	5.0	M10	54.5	76	94	70	50	10.2
PGS - 1	BLUE	A	100	5.0	M12 /M16	77	120	150	90	62	13.0
PGS - 1	GRAY	(150)	150	5.0	M12 /M16	77	120	150	90	62	13.0
PGS - 1	WHITE	B	200	5.0	M12 /M16	77	120	150	90	62	13.0
PGS - 1	GREEN	C	360	5.0	M12 /M16	77	120	150	90	62	13.0
PGS - 1	YELLOW	D	450	5.0	M12 /M16	77	120	150	90	62	13.0
PGS - 2	BLUE	A	400	5.0	M16	98	180	230	110	62	13.0
PGS - 2	WHITE	B	600	5.0	M16	98	180	230	110	62	13.0
PGS - 2	GREEN	C	840	5.0	M16	98	180	230	110	62	13.0
PGS - 2	YELLOW	D	1080	5.0	M16	98	180	230	110	62	13.0
PGS - 3(N1)	BLUE	A	600	5.7	M20	138	180	230	150	62	13.0
PGS - 3(N1)	GRAY	(800)	800	5.2	M20	138	180	230	150	62	13.0
PGS - 3(N1)	WHITE	B	1000	5.2	M20	138	180	230	150	62	13.0
PGS - 3(N1)	GREEN	C	1250	5.0	M20	138	180	230	150	62	13.0
PGS - 3(N1)	YELLOW	D	1600	4.7	M20	138	180	230	150	62	13.0
PGS - 3(N1)	RED	E	1800	4.4	M20	138	180	230	150	62	13.0
PGS - 3	BLUE	A	1000	5.0	M20	138	180	230	150	62	13.0
PGS - 3	WHITE	B	1600	5.0	M20	138	180	230	150	62	13.0
PGS - 3	GREEN	C	2200	5.0	M20	138	180	230	150	62	13.0

