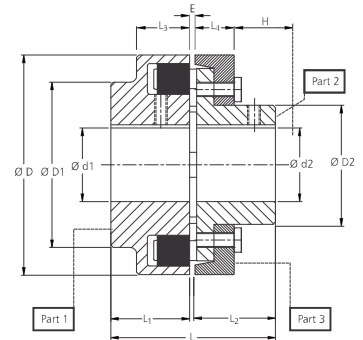
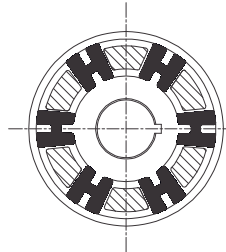




Riddhi Engineering Company

UTL UN TYPE A COUPLINGS

UTL FLEXIBLE COUPLINGS



FEATURES

- Coupling made of cast iron GG 25
- Elastomer parts can be replaced without removing the coupling
- Torsionally flexible, maintenance free, vibration-damping
- Axial plug-in, fail-safe
- Finish bore according to ISO fit, feather keyway according to DIN 6885 sheet 1 - JS9 and P9

DIMENSIONS & TECHNICAL DATA

Size A	Rated Torque Nm	Max. Torque Nm	Max. Speed rpm	Pilot Bore mm	Max. Bore		Dimensions are in mm										Wt. in. Kg approx.	Moment of inertial (kg.m ²)
					Ød1 mm	Ød2 mm	ØD	ØD1	ØD2	L	L ₁	L ₂	L ₃	L ₄	E	H*		
110	160	480	5000	-	48	38	110	86	62	82	40	40	34	20	2-4	33	3.90	0.0094
125	240	720	5000	-	55	45	125	100	75	102	50	50	36	23.5	2-4	38	6.123	0.022
140	360	1080	4900	-	60	50	140	100	82	112	55	55	34	28	2-4	43	8.151	0.037
160	560	1680	4250	-	65	58	160	108	95	122	60	60	40	28	2-6	47	11.21	0.062
180	880	2640	3800	-	75	65	180	125	108	142	70	70	42	30	2-6	50	16.45	0.12
200	1340	4020	3400	-	85	75	200	140	122	162	80	80	47	32.5	2-6	53	23.2	0.218
225	2000	6000	3000	-	90	85	225	150	136	182	90	90	52	38	2-6	61	32.53	0.395
250	2800	8400	2750	44	100	95	250	165	155	203	100	100	60	42	3-8	69	43.59	0.675

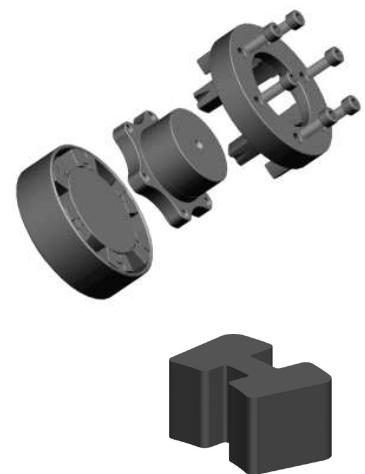
- * H = Distance for disassembly
- Permissible temperature range of ambient air and machine shaft ends between -30°C and +80°C

MATERIAL SPECIFICATIONS

Hub	Size -110 - 250	Cast Iron	CI	DIN 1693 GG 25
H cushion 80° shore A	Size -110 - 250	Nitrile Rubber	NBR	ASTM D2000 BG 810

- Alternative for higher power ratings

H cushion 92° shore A	Size -110 - 250	Nitrile Rubber	NBR	ASTM D2000 BG 910
-----------------------	-----------------	----------------	-----	-------------------



- For temperature range of elastomers please see on page no. 37 - coupling selection



Riddhi Engineering Company

www.couplings-mounts.com
sales@riddhiengineeringco.com
+91 74900 32784